



**TOTAL AUTOMOTIVE**  
LIFTING SOLUTIONS INC.

**MID-RISE / LOW RISE**  
TL5M6R / TL5LR6RR

**AUTOMOTIVE AND LIGHT TRUCK GENERAL SERVICE**  
TLS LIFTS INCLUDE NORTH AMERICAN KEY COMPONENTS



# MID-RISE / LOW-RISE

**6,000 LB. / 2.7T CAPACITY**  
IDEAL FOR TIRES, BRAKES & DETAILING



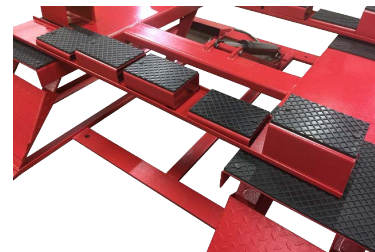
## FEATURES



USA-MADE BUCHER PUMP & MOTOR 110V / 1HP / .75KW OR 220V / 2HP / 1.5KW CSA/UL



MID RISE ADAPTERS



LOW RISE ADAPTERS

July 2020



**CONTACT US NOW**



**WWW.WESTRIMLIFTREPAIR.COM OR CALL (403) - 259 - 8808**

OUR GOAL IS TO BUILD LIFTS THAT LAST LONGER, PERFORM BETTER AND COST LESS TO OPERATE

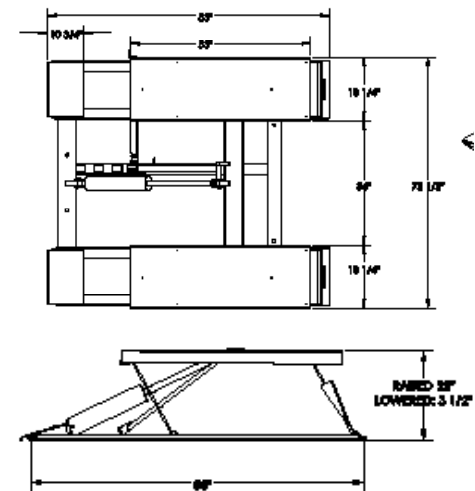
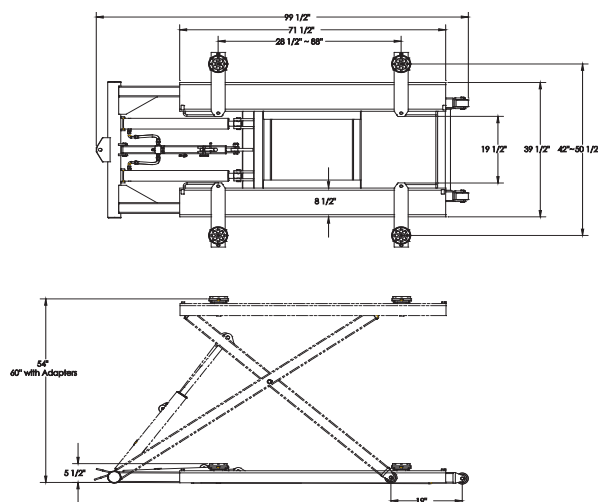
SPECIFICA-	MID RISE	LOW RISE
CAPACITY	6,000 LBS. / 2.7T	
POWER SUPPLY	R4 MODELS - 110V 15 AMP 1PH R1 MODELS - 220V 15 AMP 1PH	
HYDRAULIC CYLINDERS	2 @ 3" OD X 28" LONG / 76MM OD X 711MM LONG	1 @ 4-1/4" OD X 19-1/2" LONG / 108MM OD X 495MM LONG
LIFTING TIME	30 SECONDS (220V)	25 SECONDS (220V)
OVERALL WIDTH	39-1/2" / 1003MM	72-1/2" / 1841MM
OVERALL LENGTH	102" / 2590MM	83" / 2108MM
DRIVE OVER HEIGHT	5-1/2" / 140MM	3-1/2" / 89MM
OVERALL LIFTING HEIGHT	54" / 1371MM (60" 1524MM WITH ADAPTERS)	22" / 559MM (28" / 711MM WITH ADAPTERS)
# OF MECHANICAL LOCKS	7	3
LOCK RELEASE	MOTORCYCLE HAND GRIP	CAM STYLE LOBE RELEASE
FINISH	DOUBLE BAKE POWDER COAT	
HEIGHT ADAPTERS	1-1/2", 2-1/4" & 5-3/4" / 38, 57 & 146MM DROP IN STACKING ADAPTERS	1-3/4", 3-1/2" & 5-3/4" / 44, 89 & 146MM RUBBER COVERED STEEL BLOCKS
LIFTING PAD DIMENSIONS	N/A	53" X 18-1/4" / 1346MM X 463MM
SWING ARMS	4 - 27" / 685MM LONG	N/A
FRAME DIMENSIONS	39-1/2" X 71-1/2" / 1003MM X 1841MM	N/A
ARM REACH FRONT TO BACK	49-1/2" TO 64" / 1257MM TO 1625MM	N/A
ARM REACH SIDE TO SIDE	42 TO 66-1/2" / 1067MM TO 1689MM	N/A
SHIPPING WEIGHT	800 LB. / 362KG	580 LB. / 263KG

### FEATURES

- PREMIUM NORTH AMERICAN COMPONENTS - NORTH AMERICAN MADE MONARCH (BUCHER) POWER UNIT AND TWIN 2" / 51MM TO 3" / 76MM OD HYDRAULIC CYLINDERS (MID RISE) OR SINGLE 3" / 76MM TO 4-1/4" / 89MM OD CYLINDER (LOW RISE) PROVIDE LONGER MORE DEPENDABLE SERVICE LIFE.
- MULTI PURPOSE DESIGN EXCELLENT FOR CARS, SUV'S AND LIGHT TRUCKS - (MID RISE) ADJUSTABLE ROTATING SWING ARMS PROVIDES MAXIMUM REACH. STACKING ADAPTERS PROVIDE AN OVERALL MAXIMUM LIFTING HEIGHT OF 60" / 1524MM.
- (LOW RISE) LARGE RUBBER PADDED LIFTING DECKS 18-1/4" X 53" / 463MM X 1346MM PROVIDE A STABLE PLATFORM FOR MOST CARS AND LIGHT TRUCKS. A SET OF FOUR (4) LIFTING ADAPTERS ARE INCLUDED. LOW DRIVE OVER HEIGHT OF 3-1/2" / 89MM IS IDEAL FOR COMPACT AND SPORT CARS.
- CORROSION RESISTANT PROTECTION - STEEL STRUCTURAL COMPONENTS ARE WHEEL-A-BRATOR SHOT BLASTED AND ACID WASHED BEFORE A "DOUBLE BAKE" POWDER COAT FINISH.
- IDEAL FOR EITHER HOBBY OR COMMERCIAL USE - THE LIFT IS BUILT TO INDUSTRY STANDARDS AND COMES WITH A SEVEN (7) POSITION (MID RISE) MECHANICAL LOCKING SYSTEM AND FAIL SAFE HYDRAULIC VELOCITY FUSE IN EACH CYLINDER. BOTH LIFTS ARE AVAILABLE IN EITHER 220V 1 PHASE 15 AMP OR 110V 1 PHASE 15 AMP POWER SUPPLY. THE LOW RISE LIFT IS BUILT TO INDUSTRY STANDARDS AND COMES WITH A THREE (3) POSITION MECHANICAL LOCKING SYSTEM AND FAIL SAFE VELOCITY FUSE.
- IDEAL WHERE THERE ARE LOW CEILINGS OR MINIMAL SPACE (MID RISE) - THE COMPACT SPACE SAVING DESIGN IS ONLY 40" / 1016MM WIDE BY 99-1/2" / 2527MM LONG WITH A FRAME LOWERED HEIGHT OF 5-1/2" / 140MM. (LOW RISE) LIFTS 26" / 660MM IN 36 SECONDS FOR QUICK ACCESS TO THE VEHICLE. NO OBSTRUCTION AROUND THE LIFT

DISCLAIMER: TLS INC. IS CONSTANTLY UPDATING THEIR PRODUCTS TO MAINTAIN THE HIGHEST POSSIBLE STANDARDS OF PERFORMANCE AND SAFETY. THE SPECIFICATIONS INCLUDED IN THIS BROCHURE ARE ONLY ACCURATE AT THE TIME OF PRINTING AND ARE SUBJECT TO CHANGE WITHOUT

### EQUIPMENT FOOTPRINT



CONTACT US NOW



WWW.WESTRIMLIFTREPAIR.COM OR CALL (403) - 259 - 8808